

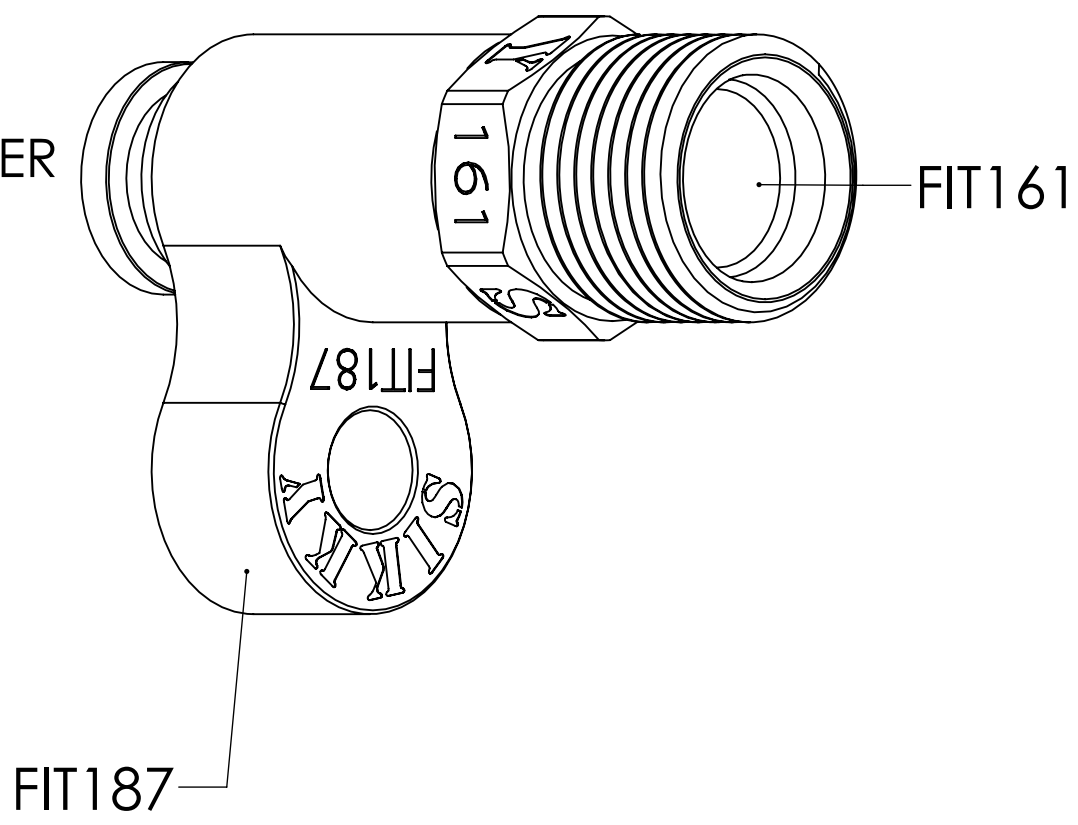
4

3

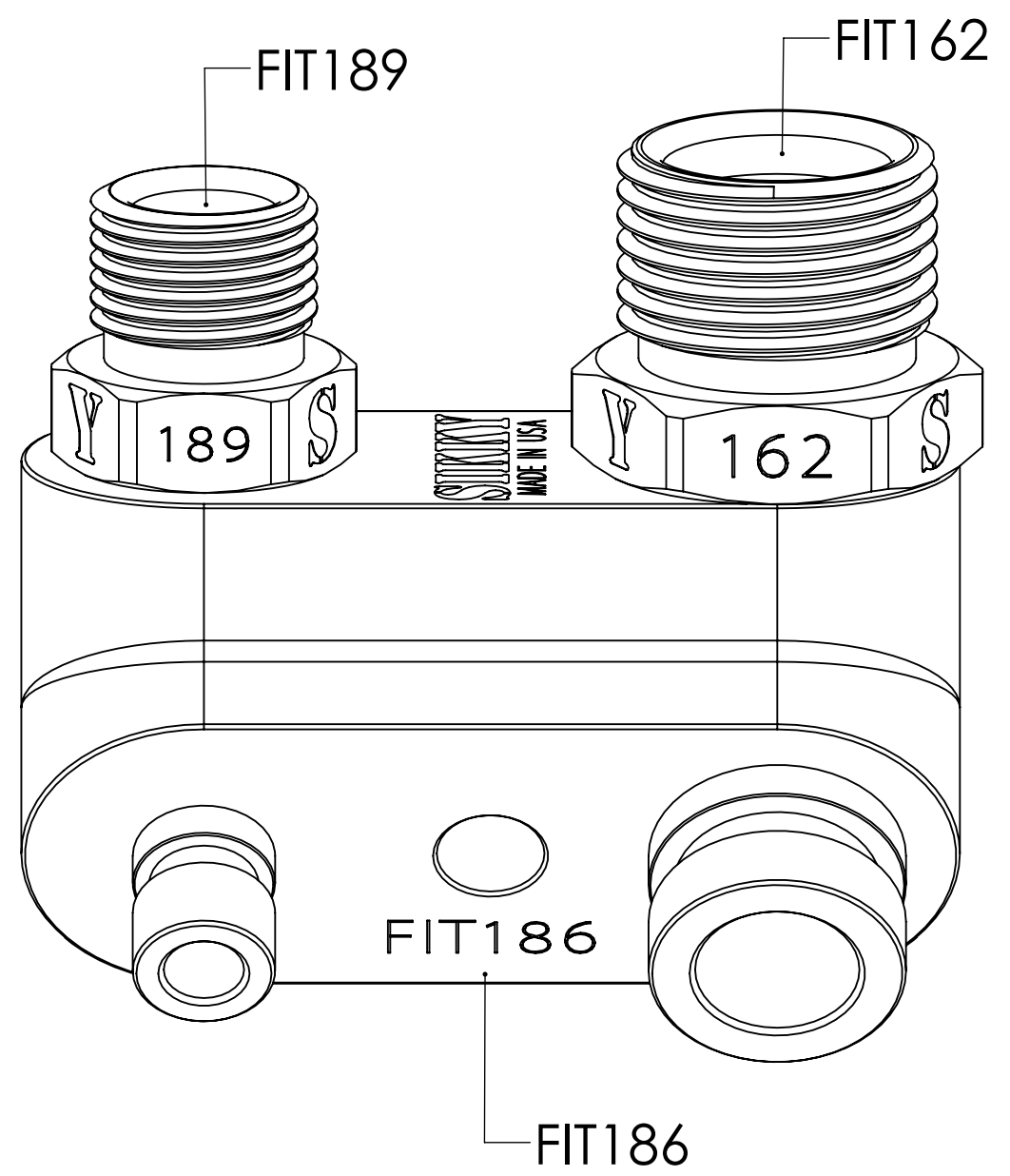
2

1

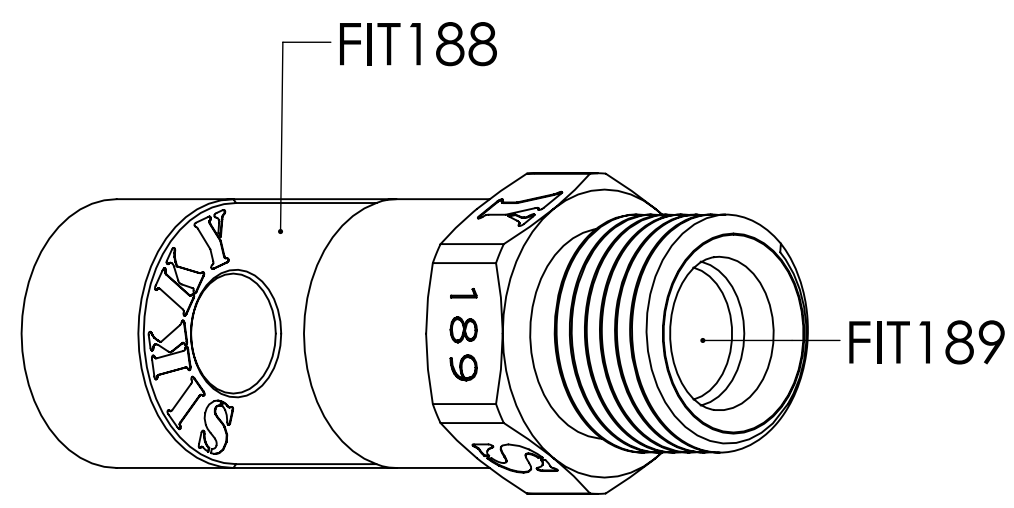
UPPER CONDENSER FITTINGS



FIREWALL FITTINGS



LOWER CONDENSER FITTINGS



SIKKY
MANUFACTURING
WWW.SIKKY.COM

| | | |
|------------------|------------------------------|------------------|
| SIZE B | DWG. NO. AC FITTING GUIDE | REV 01 |
| SCALE: 2:1 | WEIGHT: NA | SHEET 1 OF 1 |

PROPRIETARY AND CONFIDENTIAL
THE INFORMATION CONTAINED IN THIS DRAWING IS THE SOLE PROPERTY OF SIKKY MANUFACTURING. ANY REPRODUCTION IN PART OR AS A WHOLE WITHOUT THE WRITTEN PERMISSION OF SIKKY MANUFACTURING IS PROHIBITED.

4

3

2

1

B

B

A

A